

AC switch – disconnecter in aluminium enclosure
S3/00 - 80A



Indicative picture

Electrical data (according to IEC 60947-3)

| | |
|---|-----|
| Thermal current I_{th} (-25 to 55 °C) | 80A |
| Rated insulation voltage U_i (V) | 800 |
| Rated impulse withstand voltage U_{imp} (kV) | 8 |

| AC Rated operational current I_e (A) | | |
|--|------------------------------|----------------------|
| Voltage (C) | Category of operation | I_e |
| 415 V | AC23A | 80A |
| <i>** Please consult for other voltages and/or category of operation</i> | | |

| Short-circuit behaviour | | | |
|--|-----------------|------|--|
| Rated short-time withstand current (1 sec) | I _{cw} | 0,85 | |
| Rated short circuit making capacity | I _{cm} | 1,5 | |

| Connection capacity | |
|--------------------------------|--------|
| Rigid cable (mm ²) | 2,5~35 |

| Mechanical data | |
|------------------------|---------|
| Mechanical life | 100.000 |

Standards

IEC 60947-3



Quality Telergon, SAU

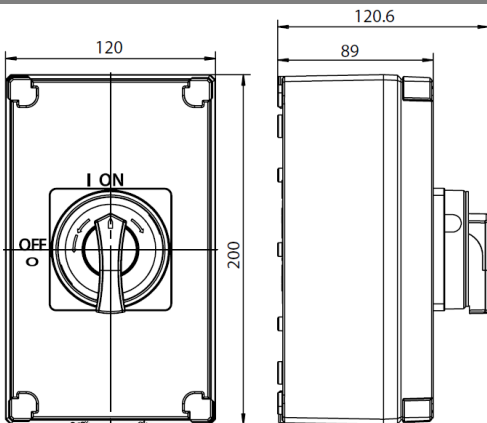
ISO 9001 & 14001



Codes

| Size | Poles | Switch code | Handle | Accessories | Accessories code | |
|-------------|--------------|--------------------|---------------|--------------------|---------------------------|-------------------|
| 00 | 3P | S3-00803P4EA | Red/Yellow | Terminal shrouds | DS3CUB1 (3P) | |
| | | S3-00803P3EA | Black | | DS3CUB2 (1P) | |
| | 3P+N | S3-00803N4EA | Red/Yellow | | Add-on Auxiliary Contacts | DS3AUP1 (1NO+1NC) |
| | | S3-00803N3EA | Black | | | DS3AUP2 (2NO) |

Dimensions



You will find detailed information about our products on our web site www.telergon.com

| | | |
|--|--|--|
| | AC switch-disconnector S3/00 - 80A – Aluminium enclosure | TELERGON, SAU Data subject to change without notice (printed: 16/12/2025) |
|--|--|--|